

Bussing Cart

Specifications

- Cabinet holds trays side loaded, 2 per ledge.
- Platform is made .125 thick aluminum.
- Body is made from .063 thick aluminum.
- Tray guides are made from .063 thick aluminum.
- 2 1/2" wide ledges.
- Black PVC corner bumpers.
- 5" diameter casters.



Options

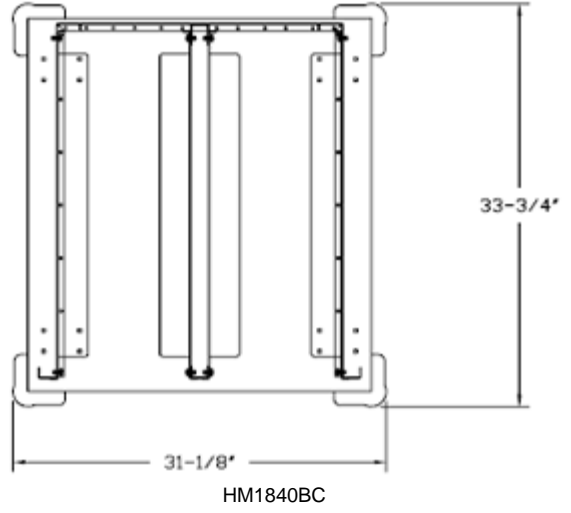
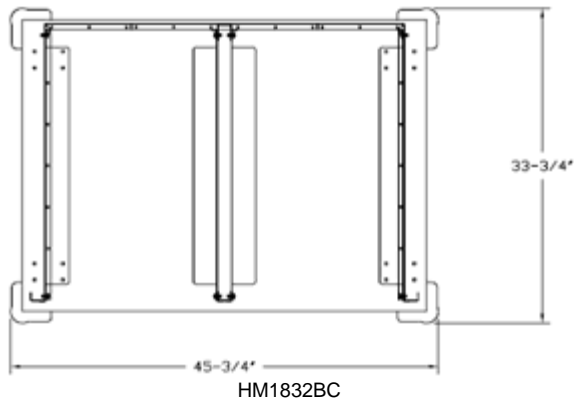
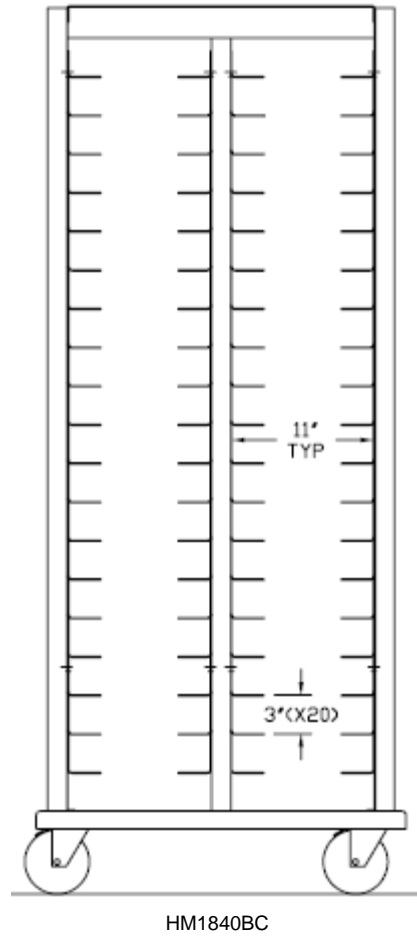
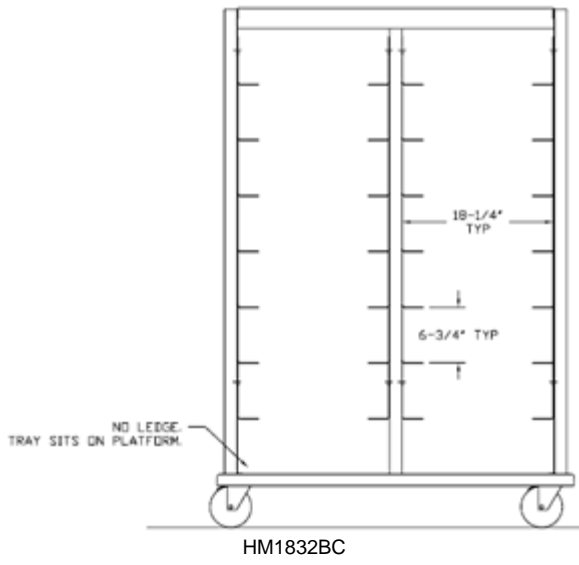
- Please contact our facility at 615-895-5333 with inquiries for custom tray sizes, capacities, and ledge spacing.

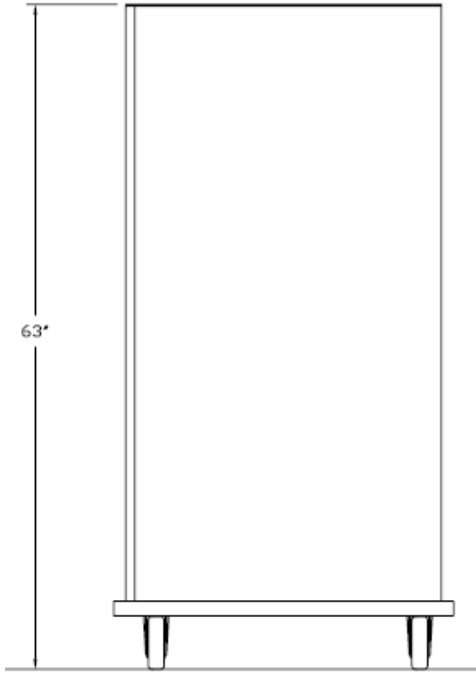


Customization is available

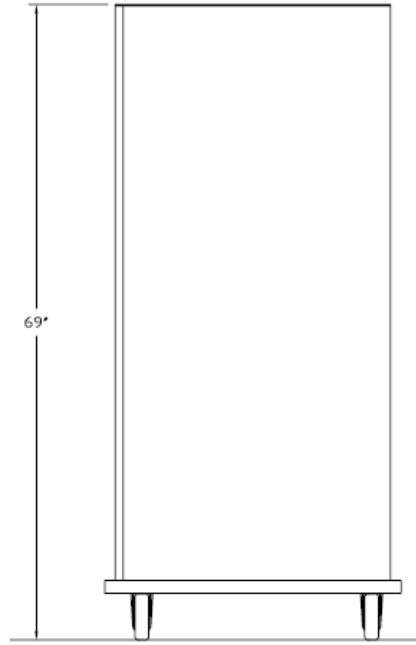
Dimensions of Previous Models

Model	Height	W	D	Casters		Construction	Ledge Spacing	Capacity
				Type	Dia.			Trays
HM1832BC	63"	45 3/4 "	33 3/4"	swivel	5"	Aluminum	6 3/4"	32
HM1840BC	69"	31 1/8"	33 3/4"	swivel, 2 w/brake	5"	Aluminum	3"	40





HM1832BC



HM1840BC

© 2011 Alliance Products, LLC
820 Esther Lane | Murfreesboro, TN 37129
615.895.5333 phone
615.895.5334 fax